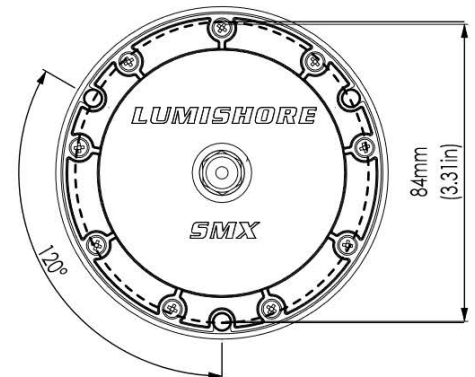
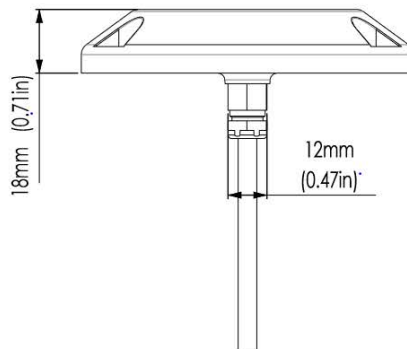
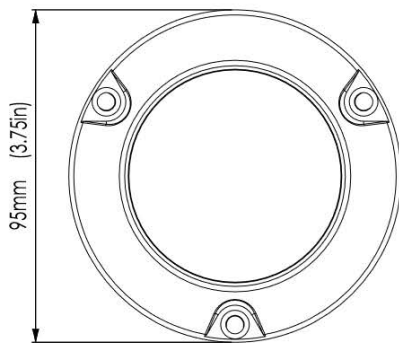


EOS Series - Full Color Change

SMX153

SURFACE MOUNT UNDERWATER LED LIGHT

PART DESCRIPTION	EOS SMX153 SURFACE MOUNT UNDERWATER LED LIGHT
Part Number: SMX 153 EOS Starter Pack	60-0316
Available Colors	Full EOS Color Change (RGBW)
Lumens	12,375
Fixture Lumens (White)	5,500
Number & Type Of LED	White-12×10W / Green-12×3W / Blue-12×3W / Red-16×3W
LED Power - HICOB Array	Yes
Typical LED Life	50,000+ Hours
Warranty	2 Years
User Control Options	Certified MFD Screen Lumi-Link Display 2204i WiFi Control from Smart Phone or Connected Device (via MFD or 2204i Wifi)
Electrical Installation	Plug-and-Play Connections
Housing Type	Marine Bronze Body with Borosilicate Glass Lens



EOS Series - Full Color Change SMX153

SURFACE MOUNT UNDERWATER LED LIGHT



TECHNICAL

Driver	Multi-Channel Internal Driver
Supply Voltage Range	10.5–31 VDC
Max Current Draw 12/24V	4.0 A/2.0 A
Surge Protection	Yes (3,000V)
ATRB (Automatic Thermal Roll-Back)	Yes
Low Voltage Protection	Automatic Voltage Roll-Back Control And Low Voltage Cut Out
Auto Power Control	Yes - Intelligent Multi-Channel Power Management
“Soft Start” Electronics Protection	Yes
Reverse Polarity Protection	Yes
In Rush Current Protection	Yes
Power Line Noise Suppression	Yes
Bonding	Not Required
Communications Protocol	Lumi-DMX (DMX 512 and RDMX Compatible)
Electrical Installation	Plug-and-Play Connections
Max Vessel Length	15m (50')

PHYSICAL

Beam Angle	90°
Water Ingress Protection Rating	IP68
Light Face Diameter	95mm (3.75")
Profile (Height) Of Housing	18mm (0.71")
Housing Type	Marine Bronze Body with Borosilicate Glass Lens
Light Cable Length	3m (9'9") Standard, 3m (9'9") Extension cable. Note: 6m (19'6") max total length
Hole Cut-Out for Cable (Drill bit size)	Metric: 13.5mm Imperial: 17/32" (0.5313")
Weight	490g (1.08 Lbs)
Mechanical Installation	3 x Marine Bronze Screws (Provided)

LIGHTING SYSTEM FUNCTIONALITY

Lumi-Link MFD Integration (with Lumi-Link Command Centre)	Yes
Zone Control	Yes
Scenes	Yes
Full Color Spectrum Color Cycle	Yes
Preset Colors	Yes
Lights Synchronized (All Lights, All Colors, All Modes)	Yes
Fixed Strobe (Any Color, Adjustable Speed)	Yes
Random Strobe Mode (Any Color)	Yes
Customizable Strobe Mode	Yes
Color Cycle (Adjustable Speed)	Yes
Color Sweep (Adjustable Speed)	Yes
Customizable Favorites	Yes
Sound-To-Light	Yes
Individually Addressable Lights	Yes
External DMX/RDMX	Yes
Brightness Adjust	Yes
Automatic Light Discovery And Setup	Yes
Diagnostic Function	Yes
Wi-Fi Control	Yes

ACCESSORY PART NUMBER

EOS i-Connect Hub (up to 4 lights per Hub)	60-0321
Lumi-Link Command Center	60-0366
Lumi-Link Display 2204i	60-0369
Light Extension Cable - 3m (9'9")	60-0407
DMX Extension Cable - 1m	60-0403
DMX Extension Cable - 5m	60-0404
DMX Extension Cable - 15m	60-0405

LUMI-LINK™

PLUG-&-PLAY MFD INTEGRATION

The world's first marine lighting API (Application Programming Interface) allowing plug-&-play integration of Lumishore SUPRA & EOS underwater lighting systems with a single cable to your certified Multi-Function Display (MFD) creating a centralized control platform for the entire vessel reducing helm clutter and simplifying vessel operation. Now available for Garmin OneHelm™ MFDs.